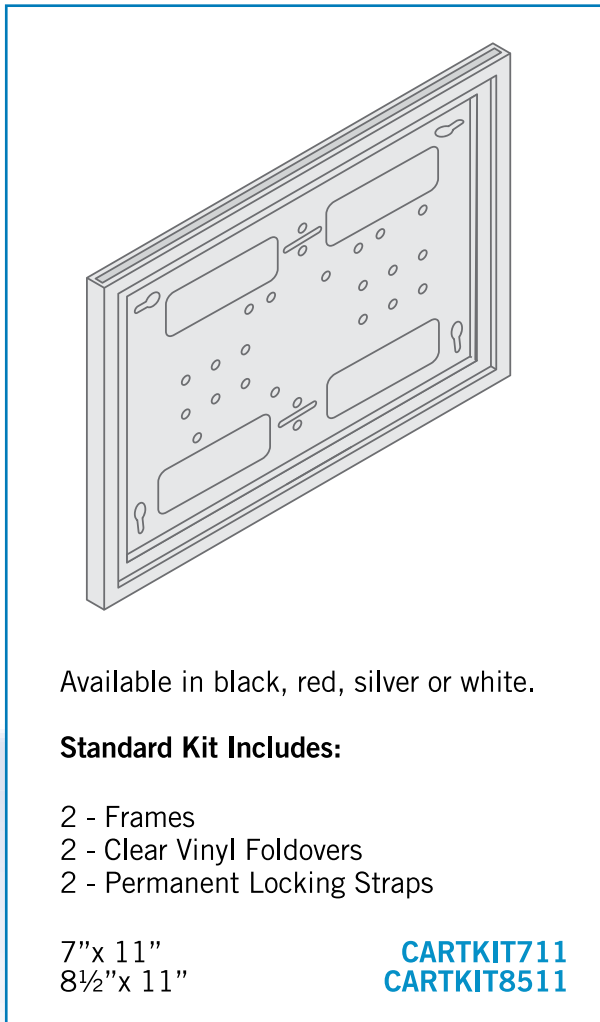


ENHANCE YOUR GRAPHICS WITH MARKETING IMPACT'S

marketingIMPACT
LIMITED

Always
Innovating

SHOPPING CART & WALL MOUNT SIGNHOLDER



Available in black, red, silver or white.

Standard Kit Includes:

- 2 - Frames
- 2 - Clear Vinyl Foldovers
- 2 - Permanent Locking Straps

7"x 11"
8½"x 11"

CARTKIT711
CARTKIT8511

(Custom colours available. Minimum quantities apply.)



To order today, contact our sales department:

marketingIMPACT
LIMITED
*Your Source for Effective
Display and Merchandising*

1 800 410 0264
T (905) 738 0888
F (905) 738 1334
www.displaypeople.com

Please visit our website for a complete listing of our modular pusher components and other innovative merchandising solutions!

50 Planchet Road, Concord, Ontario L4K 2C7