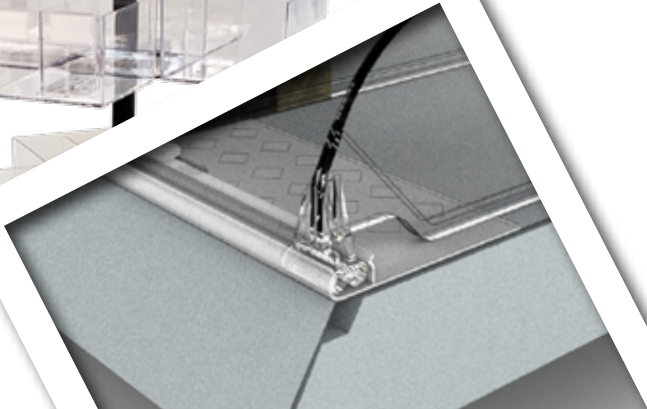


Cosmetic MERCHANDISERS



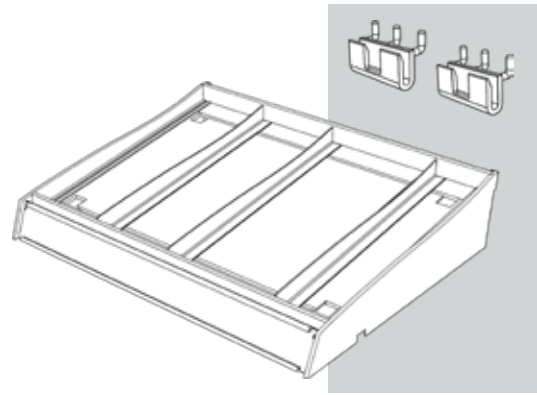
DISPLAYPEOPLE.COM
1 800 410-0264

 **marketingIMPACT**
LIMITED

Cosmetic / Nail Tray

Our Cosmetic Tray can be displayed on countertops or mounted to pegboard or slatwall. The sides of these units can also be locked to one and other. Moulded in crystal styrene. Includes two clear Pegboard/Slatwall U-Hooks.

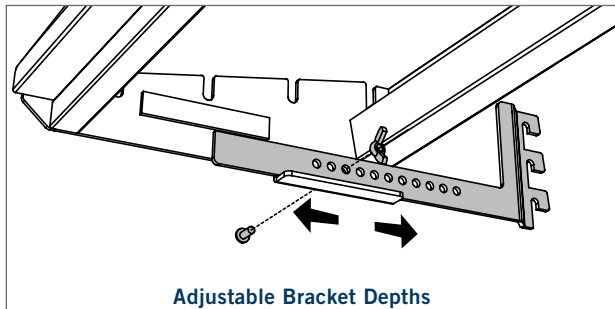
Dimensions	Part Number
2¼"H x 12"W x 8"D	COSMTRAY-01



Cascading Cosmetic / Nail Tray Bracket

This bracket is specially designed to create a step-wall of trays and holds four of our Cosmetic Trays. It mounts directly to gondola uprights. Bracket depth adjusts from 8" to 16" in preset ¾" increments.

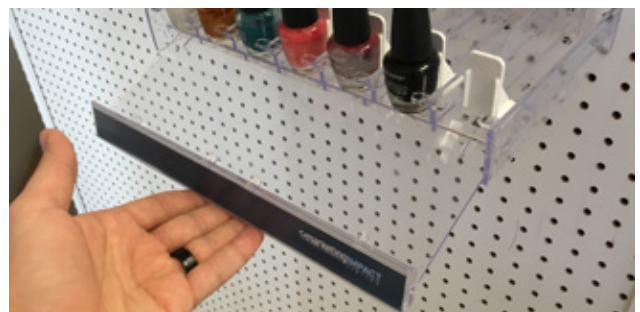
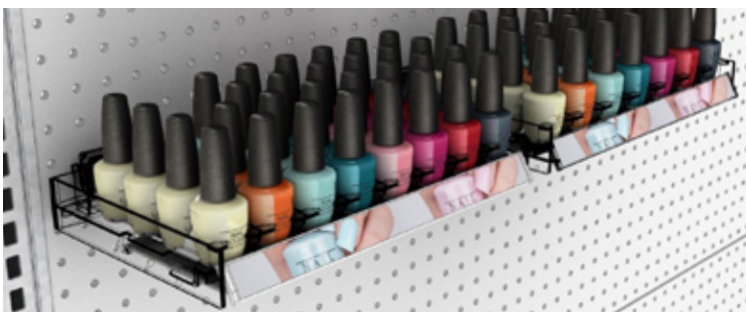
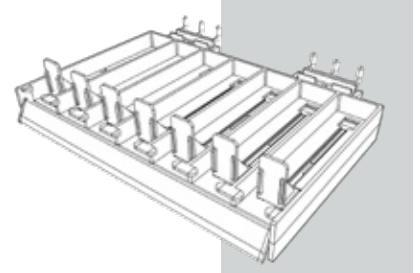
Dimensions	Part Number
3"H x 48"W x 8-16"D	COSMTRAYBRKT



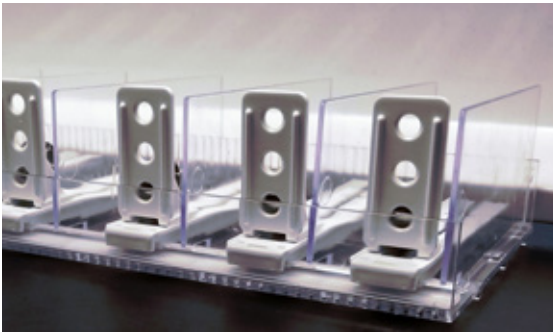
7 and 8 Track Pusher Nail Tray

Our crystal styrene 7 and 8 Track Nail Polish Pusher Trays let you sell nail polish on pegboard, slatwall and wire rack store fixtures. Trays have an integrated data strip for promotional graphics that also pulls out to reveal UPC codes and other inventory-tracking information.

Dimensions	Part Number
2¼"H x 12"W x 8"D	COSMTRAY-03CLR



Shelf Management Mats and Kits



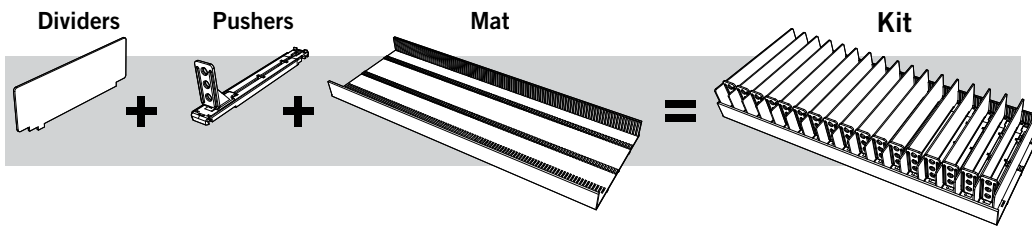
Perfect for cosmetics and other small items, Mats and Trays can be linked together to span the length of any shelf. Insert optional pushers and special dividers for a complete merchandising system.

21 3/8" Wide Shelf Mats

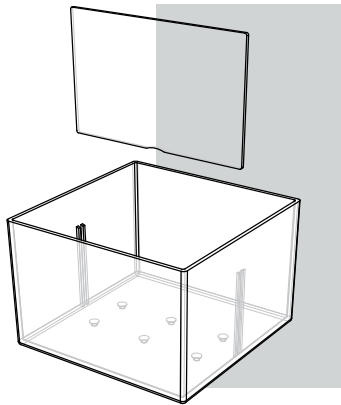
Dimensions	Part Number
1 3/8"H x 7 3/16"D	5281-R
1 3/8"H x 8 7/16"D	5280-R

11 3/8" Wide Shelf Mats

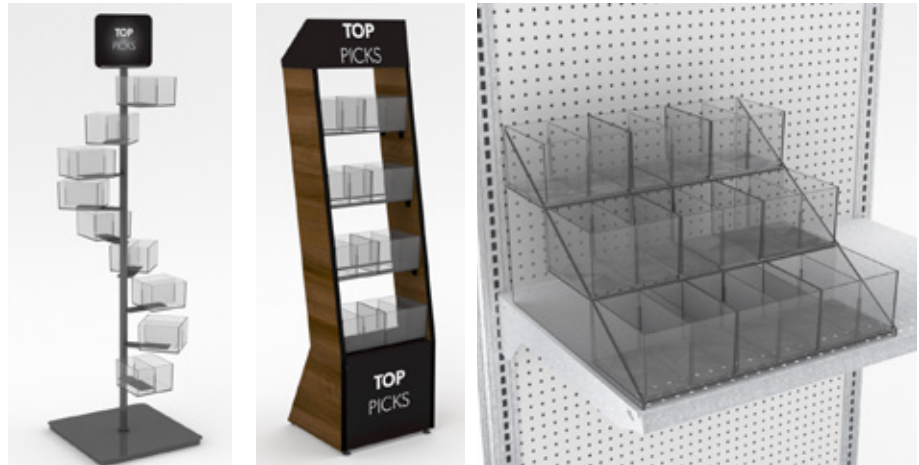
Dimensions	Part Number
1 3/8"H x 6"D	COSTRA-06
1 3/8"H x 7 3/16"D	5281
1 3/8"H x 8 7/16"D	5280
1 3/8"H x 9 7/8"D	SHETRA-10CL
1 3/8"H x 12 5/8"D	SHETRA-12CL
1 3/8"H x 14 5/8"D	SHETRA-14CL



Clear Merchandising Box

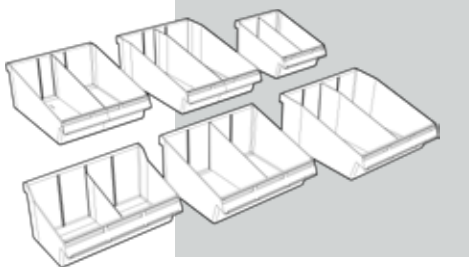


This versatile clear square bin works with our shelf management mats and can be incorporated into custom displays like our Beauty Tower. Optional dividers are also available.

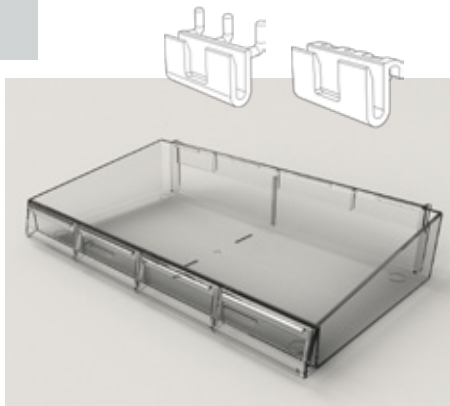


Dimensions	Part Number
4 1/4"H x 6 1/2"W x 6 1/2"D	5336-BIN

Multi-Purpose Bins and Tray



Our clear Multi-Purpose Bins and Tray can showcase a wide range of beauty and travel products. Bins are available in six sizes and both the Bins and Tray can be mounted to shelves, pegboard and slatwall. They can also be subdivided into compartments with specially designed dividers.



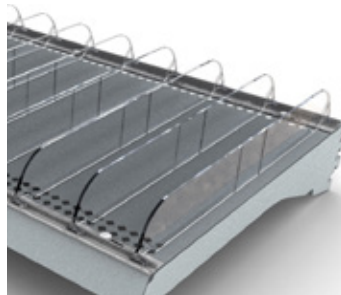
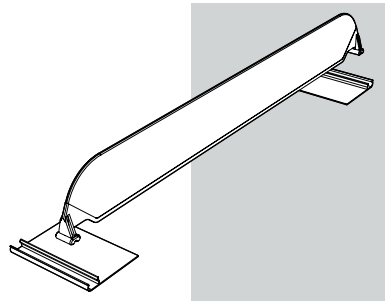
Dimensions	Part Number
5 7/8"H x 8"W x 10"D	PEGBIN08
5 7/8"H x 11 3/8"W x 7 1/2"D	PEGBIN010
5 7/8"H x 11 7/8"W x 10 1/4"D	PEGBIN015
5 7/8"H x 11 7/8"W x 12 5/8"D	PEGBIN020
5 1/2"H x 11 1/2"W x 14"D	PEGBIN025
5 1/2"H x 11 1/2"W x 16"D	PEGBIN030
3"H x 16"W x 9"D	PEGTRAY010

Super Slim Divider

Our new Super-Slim Dividers are less than $\frac{1}{8}$ " thick, meaning more shelf space for products.

Made of Crystal Styrene and available in 16" and 18", our dividers attach to shelves with our new Pop-In U-Tracks for easy in-store adjustability.

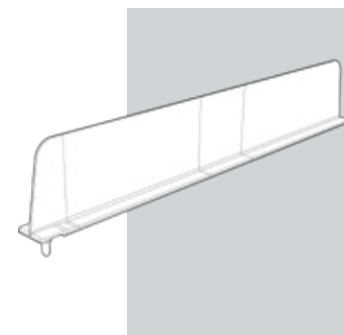
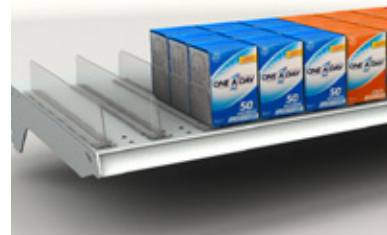
Dimensions	Part Number
$\frac{1}{8}$ "W x 16"D	DIVS216
$\frac{1}{8}$ "W x 18"D	DIVS218



SlidingPin Divider

Our Sliding Pin T Divider features a sliding pin mechanism that securely locks the divider to the shelf and gives you the ability to shift individual dividers left and right.

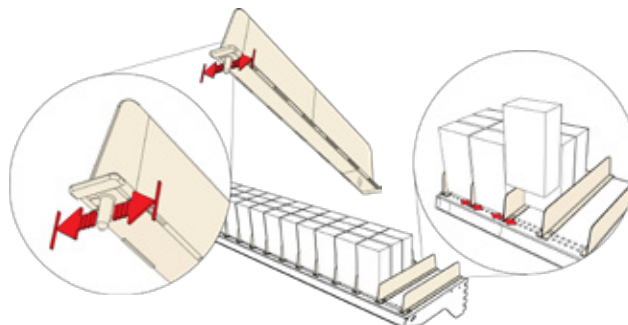
This lets you minimize gaps between products and increase the number of facings per shelf.



Sliding Pin Divider

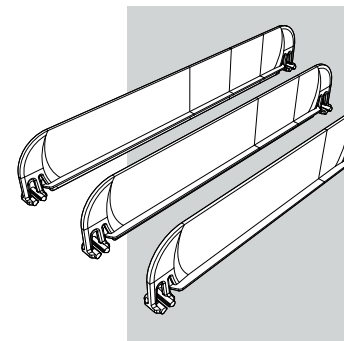
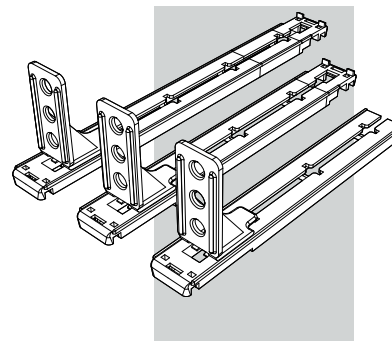
Dimensions	Part Number
2"H x 12"L	DIVT212CLEARMP
2"H x 14"L	DIVT214CLEARMP
2"H x 16"L	DIVT216CLEARMP
2"H x 18"L	DIVT218CLEARMP

US Patent #5803276



Shelf Organizers

Our Light-Duty Spring-Loaded Shelf Pusher Systems let you maximize your shelves' display capacity. These pushers and dividers are designed to fit in Shelf Management Mats and on gondola shelves.



Gen3 Pusher

Dimensions	Part Number
1"W x $6\frac{15}{16}$ "D	LP06G3
1"W x $8\frac{1}{16}$ "D	LP08G3
1"W x $9\frac{1}{2}$ "D	LP09G3

Gen3 Divider

Dimensions	Part Number
2"H x $9\frac{3}{4}$ "D	DIVG3-210
2"H x 12"D	DIVG3-212
2"H x 14"D	DIVG3-214