

Kwickload™ Pusher System



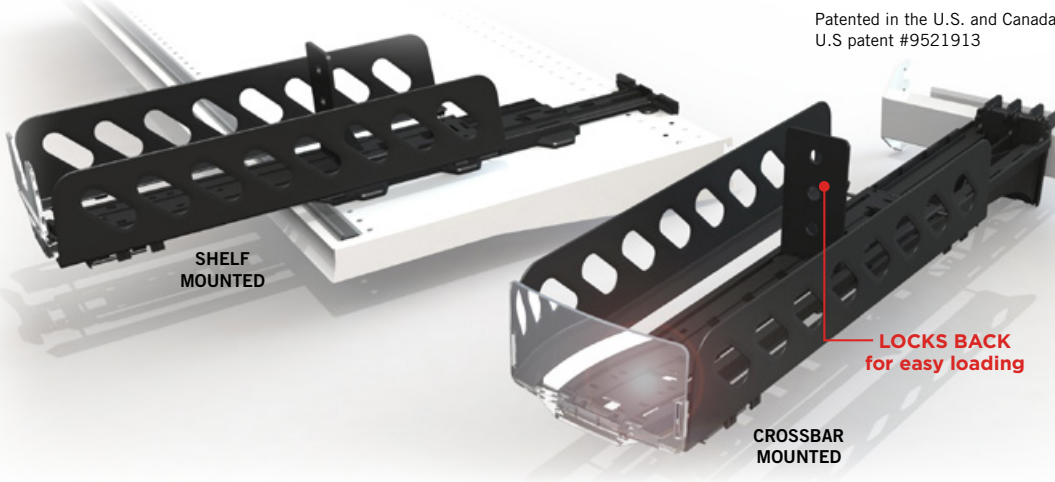
 **marketingIMPACT**
LIMITED

www.displaypeople.com

KWICKLOAD™ PUSHER SYSTEM

- Ideal for a wide variety of product packaging sizes and styles.
- Great durability! Made from ABS plastic.

Patented in the U.S. and Canada
U.S patent #9521913



Features & Benefits

Organizes Product Presentation

- Keeps merchandise facing customers

Saves Time and Cost

- Pulls out for fast, no-hassle loading

Helps Reduce Shrinkage

- Easy product rotation. No outdated products

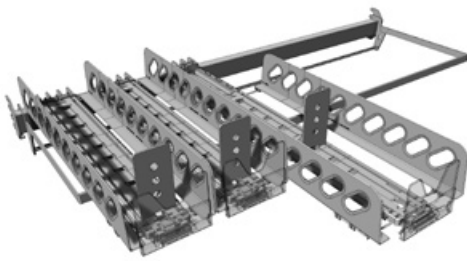
Fits Many Sizes

- Adjustable dividers accommodate a variety of product widths

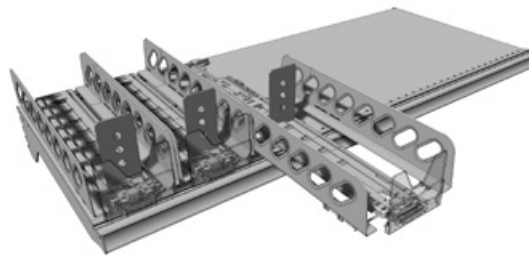
Multiple Mounting Options

- Mounting options include crossbar and shelf mounted

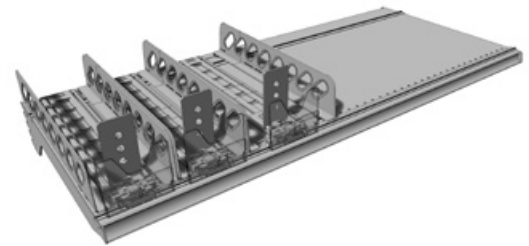
Mounting Options



Crossbar pullout with optional Support/Airflow bar



Shelf mount pullout



Non-pullout shelf mount



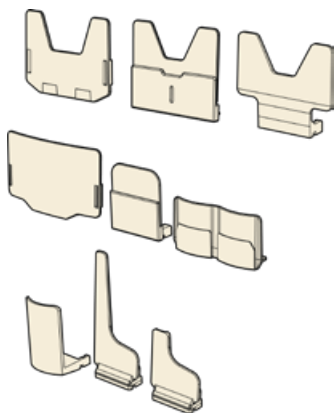
How it Works

- Revolutionary slide out mechanism with locking paddle allows for easy one-handed stock loading and rotation
- Mounting options include standard crossbar and shelf mount
- Tracks available in lengths from 14" - 22" to accommodate different product sizes and shelf depths
- Heavy-duty construction ensures reliability, even in freezers

Pulls out for easy loading and product rotation

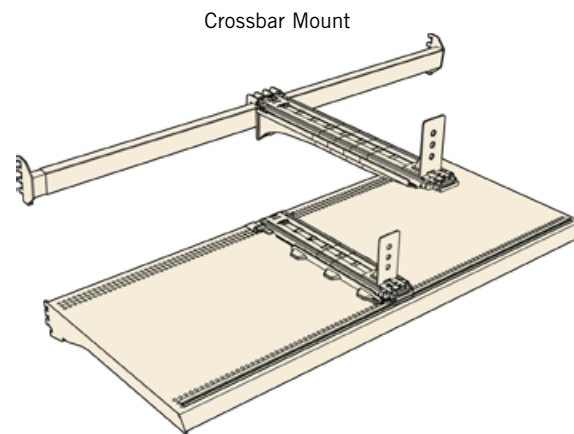


1 Choose a Front



Different fronts are available for a wide variety of applications.

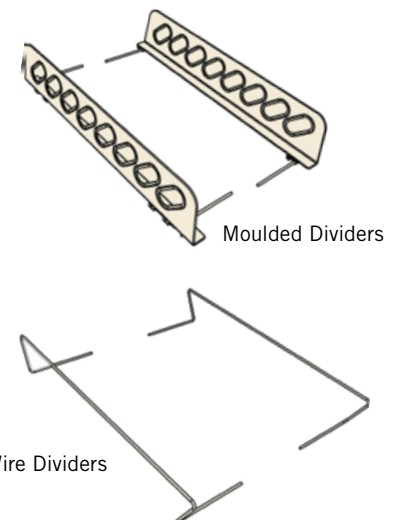
2 Select a Mounting System



Crossbar Mount

Shelf Mount

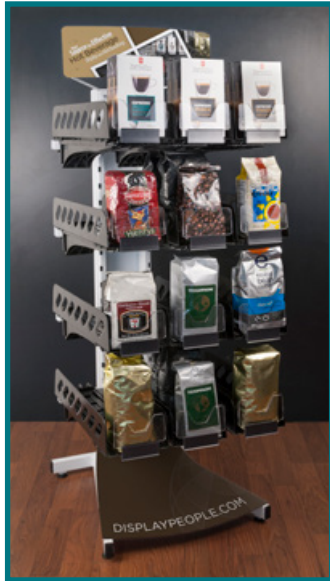
3 Choose the Dividers



Moulded Dividers

Wire Dividers

The Kwickload™ Pusher System is the latest innovative addition to our pusher system family. Its sleek and visually minimal design is ideal for pushing bagged salad, packaged cheese and deli meats.



Kwickload™ Display Stand



Kwickload™ for Freezer



Kwickload™ for Deli



Kwickload™ for Produce



Kwickload™ for Brick Cheese



Kwickload™ for Prepared Foods

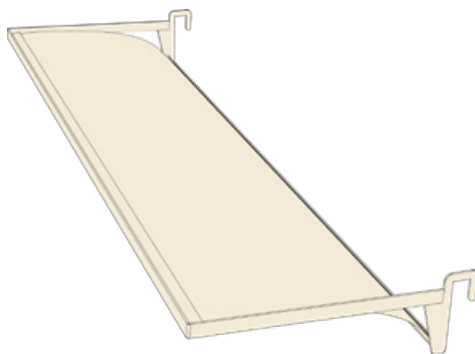


Kwickload™ for Confectionary



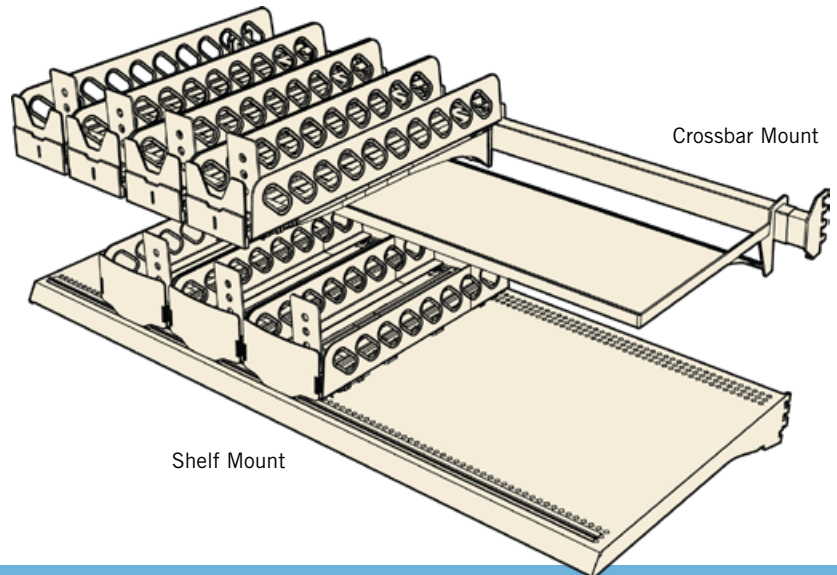
Kwickload™ for Personal Care Products

4 Add Optional Components



Shelf Cooler Baffle and Support Bar


5 Assemble and Install



Crossbar Mount

Shelf Mount

Popular Kwickload™ Kits

	<p>Kwickload™ Deli Kit - Shelf Mount</p> <p>Designed and optimized for packaged deli meat and cheese.</p> <p>SMK016RF</p>	
	<p>Kwickload™ Double Track Bottle Front Kit - Crossbar Mount</p> <p>Double track pushers designed and optimized for bottled water and beverages</p> <p>CMK018W-DBL-BTL</p>	
	<p>Kwickload™ Double Track Confectionery Kit - Shelf Mount</p> <p>Double track pushers designed and optimized for bar candy.</p> <p>SMK018CN-DBL</p>	
	<p>Kwickload™ Produce Kit - Crossbar Mount</p> <p>Designed and optimized for bagged produce.</p> <p>with Support Bar CMK018-S-SB</p> <p>without Support Bar CMK018</p>	
	<p>Kwickload™ Bagged Cheese Kit - Crossbar Mount</p> <p>Designed and optimized for bagged shredded cheese.</p> <p>with Support Bar CMK018C-SB</p> <p>without Support Bar CMK018C</p>	
	<p>Kwickload™ Brick Cheese Kit - Crossbar Mount</p> <p>Designed and optimized for brick cheese.</p> <p>with Support Bar CMK018BC-SB</p> <p>without Support Bar CMK018BC</p>	